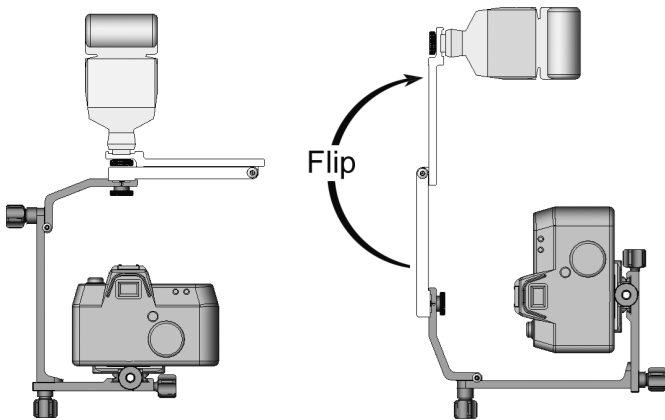


About the M-7

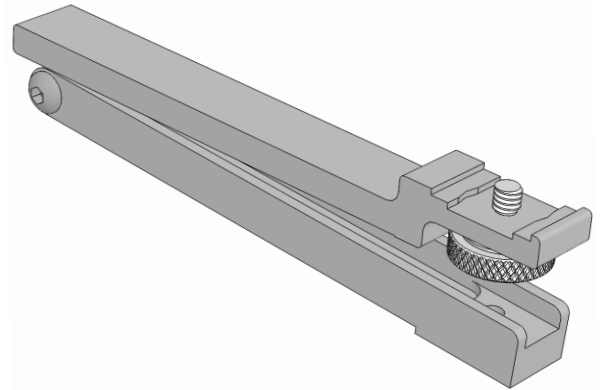
The **M-7 Flash Flipper** is one of the components of the Wimberley Modular Flash Bracket System. It is used in conjunction with the Wimberley F-1 Telephoto Bracket to form a versatile, hand-held flash bracket that allows you to easily keep your flash above the lens when switching from horizontal (landscape) to vertical (portrait) orientation.



The M-7 module is a useful accessory for both wedding and portrait photography. The elevation of the flash unit above the camera body reduces both red-eye and distracting, unflattering shadows when photographing people.

Wimberley

M-7 Flash Flipper Flash Bracket Module



Weight: 5.9 oz
Dimensions (Overall L x W x H): 6.5 x 0.8 X 0.5 in
Materials: Anodized 6061 Aluminum, stainless steel fasteners

Package Contents:

- **M-7 Module:** Flash Flipper (Qty 1) Made in USA 🇺🇸

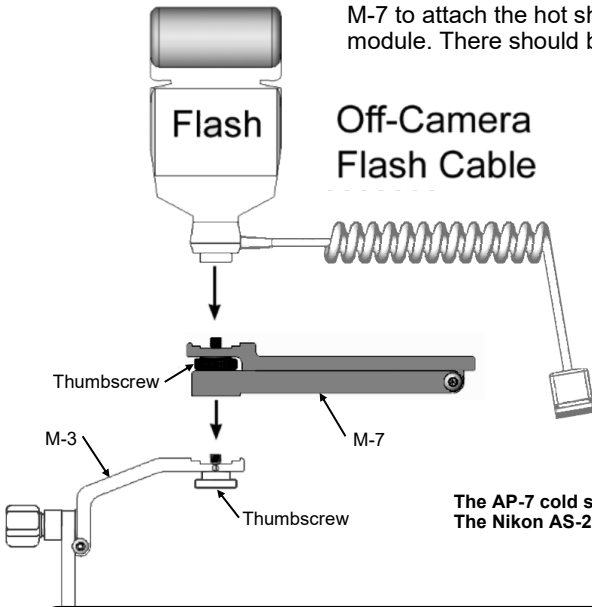
Wimberley, Inc. Phone: 1-434-529-8385
1750 Broadway St Toll Free: 1-888-665-2746 (USA & Canada)
Charlottesville, VA
22902 USA www.tripodhead.com info@tripodhead.com
10 Year Warranty – See www.tripodhead.com/warranty.cfm for complete details

Instructions continued on back >>

Attaching Your Flash Unit:

Wimberley Flash brackets have a 1/4"-20 mounting thumbscrew that attaches to an off-camera hot shoe cable or a cold shoe adapter such as the Wimberley AP-7. We do not sell flash cords. Please follow camera and flash unit recommendations when purchasing flash cords to ensure proper signal transmission.

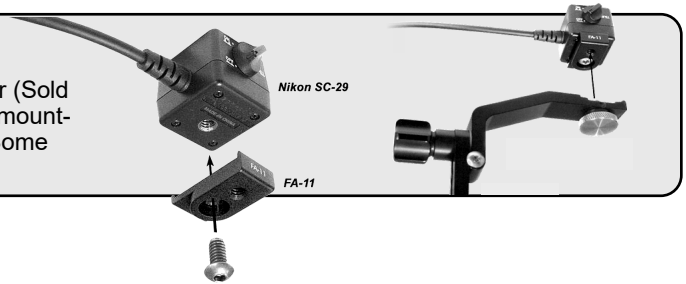
Use the thumbscrew on the top of the M-3 Tilt Arm module to attach the M-7. Use the thumbscrew on the M-7 to attach the hot shoe. Make sure the flash adapter seats snugly into the bottom notch of the Tilt Arm module. There should be no need to over-tighten.



The AP-7 cold shoe adapter can be used to mount the Speedlight flash unit to the flash bracket's mounting stud. The Nikon AS-20 can also be used. Contact us if you have trouble mounting your flash to the bracket.

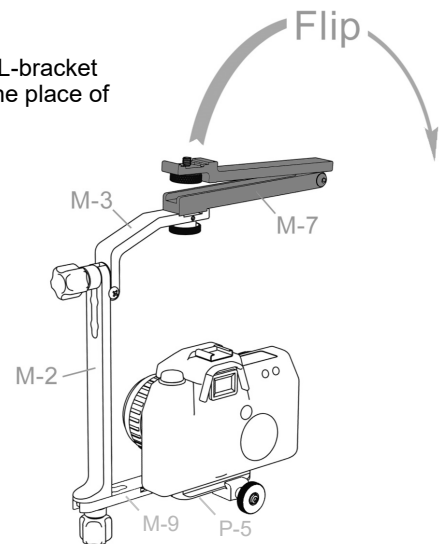
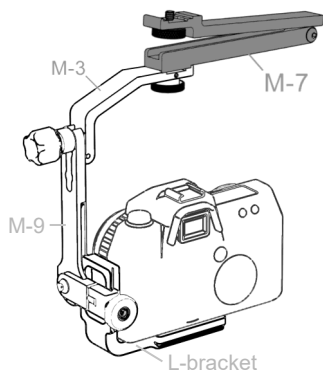
Nikon SC-29 compatibility note:

The Nikon SC-29 cord requires the use our FA-11 Flash Cord Adapter (Sold separately) to attach the cord snugly to the bracket because the cord mounting foot is slightly too wide to fit properly in the slot on the flash arm. Some older Canon off-camera flash cords have this same issue.



Useful Tips:

The Flash Flipper can be used with the F-9 Wimberley Head Flash Bracket if you have an L-bracket by mounting the F-9 to the vertical side of the camera body plate. The F-9 bracket takes the place of the F-1 and eliminates the need for the P-5 and M-8 components of the set up.



Thank you for your interest in Wimberley products. If you have any questions or comments please feel free to contact us.