

About the C-30

The **C-30 Quick-Release Clamp** uses Arca-Swiss geometry. It is compatible with most Arca-Swiss style quick-release plates, such as those made by Wimberley, Really Right Stuff, Kirk Enterprises, Arca-Swiss and Markins.

It is not compatible with most Bogen, Manfrotto or Gitzo quick-release plates.

The C-30 clamp is 4.1" long. It has three 3/8" threaded mounting holes. The C-30 was originally designed to convert the old-style Wimberley Head gimbal (WH-100) to a head with quick-release capability. The C-30 was the standard quick-release clamp sold on the classic Wimberley Head (WH-101) until this model Head was discontinued at the end of 2005.

Instructions

Mounting the C-30 to the Old-style Wimberley Head:

Remove any cork/rubber padding from the Wimberley Head platform before attaching the clamp (this provides a more rigid connection). It is not necessary, but it is recommended. To do this, simply peel off the cork (use a butter knife or plastic spatula if needed). Use lighter fluid as a solvent to remove any excess adhesive that remains on the platform.

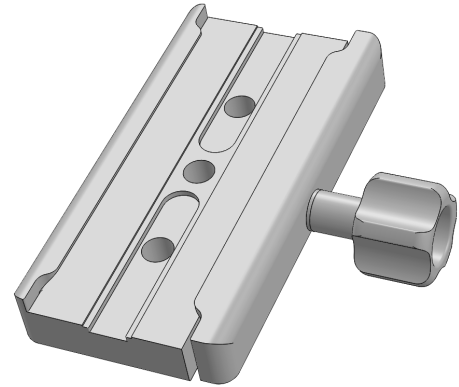
Use the enclosed hex key and fasteners to mount the clamp to the platform of the Wimberley Head.



Figure 1

Wimberley

C-30 Quick-Release Clamp



Dimensions (Overall L x W x H): 4.2 x 3.3 x 0.98 in

Weight: 8.5 OZ (includes mounting screws)

Materials: Anodized 6061 aluminum, stainless steel

Package Contents:

- **Quick-release Clamp:** C-30 (Qty 1)
- **Mounting Screws:** 3/8"-16 x 5/8" Button Head Cap (Qty 2)
- **Washers:** 3/8" ID (Qty 2)
- **Hex Key:** 7/32" (Qty 1)

Made in USA 

Wimberley, Inc.

1750 Broadway St
Charlottesville, VA
22902 USA

Phone: 1-434-529-8385

Toll Free: 1-888-665-2746 (USA & Canada)

www.tripodhead.com info@tripodhead.com

10 Year Warranty – See www.tripodhead.com/warranty.cfm for complete details

Loading a Quick-release Plate in the Clamp

Open the jaws of the clamp by turning the knob counter-clockwise.

You can load a quick-release plate by opening the jaws of the clamp minimally and sliding the plate in from the end (end loading), or you can open the jaws of the clamp wide so that they clear the entire width of the plate and then load the plate from the top (top loading).

You will need to top load your plate if you have safety-stop screws installed on your plate.

Instructions continued on back >>

Additional Features:

Captive Knob

There is a captive screw in the end of the threaded stud of the clamp knob (Fig. 2). This screw keeps the knob and internal workings of the clamp captive, which means that the knob should not unscrew entirely and come apart unexpectedly. You should not need to back the knob all the way off the clamp stud.

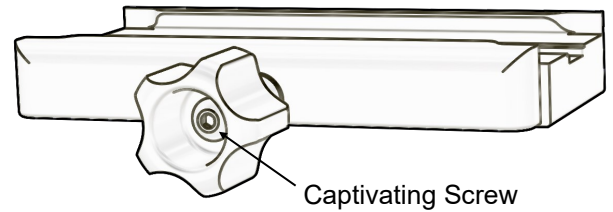


Figure 2

Note: For added protection during transport, we recommend closing the clamp all the way to prevent damage to the knob stud.

Tongue and Groove design

The clamp has a unique hidden tongue and groove design that protects internal parts from dust and grit (Fig. 3).

The tongues are nearly twice as long as those on other Arca-Swiss style clamps. This added length counteracts the tendency for the moving jaw of the clamp to tip backwards during clamping, thus keeping the jaws aligned with the geometry of the plate. This also eliminates unwanted bending stresses on the stud on which the knob rides.

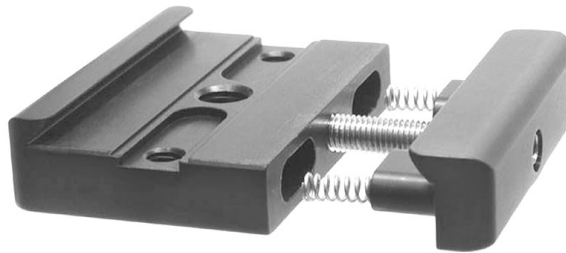


Figure 3
(C-10 Clamp shown)

Safety Stop Channels

Two shallow, finger-shaped channels have been machined into the face of the clamp from the ends, stopping just short of the central 3/8" tapped hole (see Fig. 4). These channels allow greater forward-backward adjustment when using the optional safety-stop screws on Wimberley plates or on other compatible quick-release lens plates that include this safety feature.

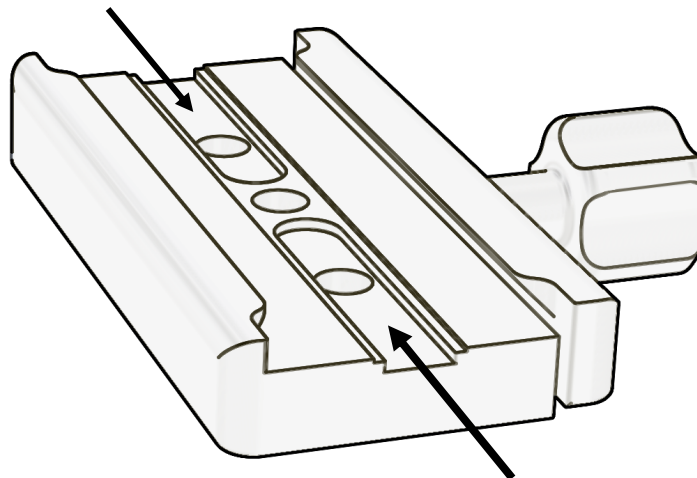


Figure 4

Thank you for your interest in Wimberley products. If you have any questions or comments please feel free to contact us.