

## About the AP-652

The **AP-652** replaces the factory tripod mounting foot attached to the rotation collar of your Nikon lens. It is also an Arca-Swiss style quick-release plate, which allows you to attach your lens to a compatible quick-release clamp. It features a double-dovetail geometry, which provides extra flexibility when attaching Arca-Swiss style quick-release accessories such as Wimberley Modular Flash Brackets. Using this plate decreases the overall height of your lens so that it will handle better on a conventional tripod head, and so that it achieves proper balance when used on the Wimberley Sidekick gimbal head adapter. It is the stiffest Nikon replacement foot on the market, providing less flex and greater stability than others currently offered, helping to create sharper images.

Wimberley replacement feet are compatible with Arca-Swiss style quick-release clamps such as those made by Wimberley, Kirk Enterprises, Really Right Stuff, Markins, LL Rue, Foba, Graf, Arca-Swiss\* and others. Attaching and using your versatile Wimberley replacement foot is simple, but reading the instructions below will help you get the most out of your investment.

*\*The safety-stop security feature of this plate does not work when used with an Arca-Swiss "double-decker" quick-release clamp of either screw-knob or lever-release (flip lock) design. See p. 2 for more information.*

Packing Dimensions (L x W x H): 5.5" x 1.5" x 0.6"

Weight: 6.0 OZ (plate & stop screws)

Materials: Anodized 6061 Aluminum, stainless steel fasteners

## Instructions

### Attaching the AP-652 to Your Lens:

**1. Remove the existing lens foot.** Use the enclosed hex keys to remove all of the recessed mounting screws from the underside of the foot (four 4mm and one 1/4" center screw).

**2. Fit the AP-652 plate to the lens and secure it using all of the screws included in this kit.** See Fig. 1 below for correct positioning.

**3. Guide the screws in with the hex key** until you first feel resistance, then turn it about 30° farther to establish appropriate, but not excessive, torque. **Do not over tighten**; it is possible to shear the head off the fastener with the hex key included.

**TIP: If you are using the AP-652 to reduce the lens profile without using a quick-release clamp:** the 3/8 inch and 1/4 inch holes in the middle section of the plate can be used to attach the foot to a suitable mounting stud on a monopod, tripod, window mount or ground pod.

# Wimberley™

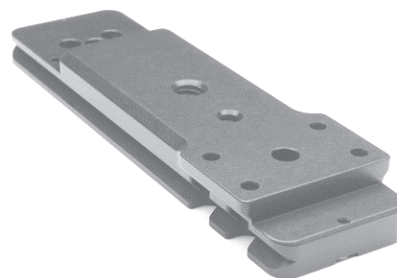
## AP-652

Quick-release Replacement Foot  
For Nikon: 600 f/4 AF-S (version I only)



7 53182 83405 4

Made in USA



### Package Contents:

- **Arca-Swiss Style Plate:** AP-652 Replacement Foot (Qty 1)
- **Mounting Screws:** 4mm Hex Head (Qty 4)
- **Mounting Screws:** 1/4" Button-head Cap (Qty 1)
- **Safety Stop Screws:** M3 x 6mm Socket Head Cap (Qty 2)
- **Hex Key:** 3mm T-handle (Qty 1)
- **Hex Key:** 2.5mm (Qty 1)

Wimberley, Inc.

974 Baker Lane  
Winchester, VA  
22603 USA

Phone: 1-540-665-2744

Toll Free: 1-888-665-2746 (USA & Canada)

www.tripodhead.com info@tripodhead.com

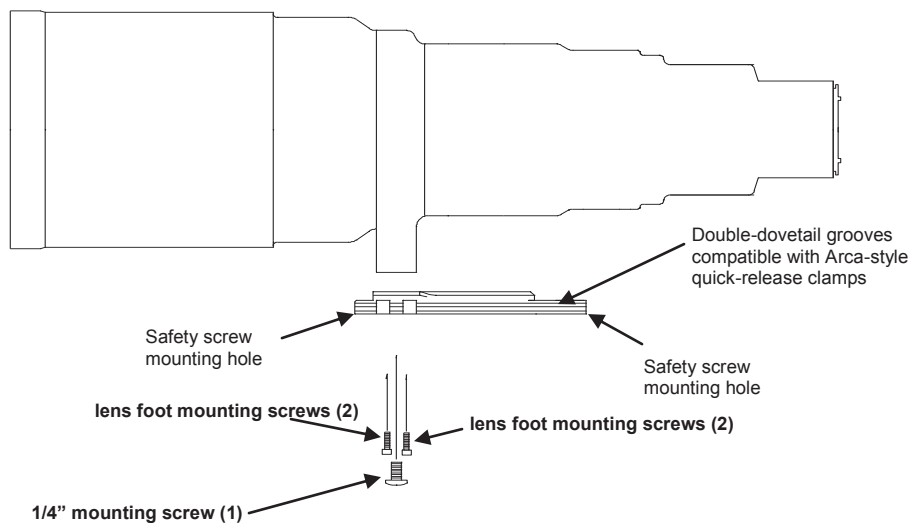


FIGURE 1

Instructions continued on back >>

## — Instructions (Continued)

### Using the Optional Safety-Stop Screws:

Your Wimberley quick-release (QR) replacement foot comes with two “safety-stop” screws and a matching hex key. These stops work best with Wimberley QR clamps because our clamps have stop channels of a specific depth that go almost to the center of the clamp. These channels allow a full range of forward and backward motion while preventing the plate from slipping out completely if the clamp is loosened accidentally.

These small screws, when installed in the front and back of the replacement foot bottom as in Fig. 2, prevent the plate from sliding completely out of the clamp jaws, thus saving your equipment from a potentially catastrophic fall. If you opt to use both stops, you must open the jaws of the QR clamp wide enough to load your lens from the top instead of sliding it in. **Top loading is a little less convenient, but if you use both stops you can be certain that your lens will not slide out of the clamp\*\*.**

#### IMPORTANT NOTES:

- Even though a quick-release plate and/or clamp is considered “Arca-Swiss style”, there may be slight variation in the width, depth, length or feature compatibility of different manufacturers’ QR plates and clamps. **Most Arca-Swiss style clamps are compatible with our plates, however we cannot guarantee that our plate safety-stop screws will work well, or at all, with some manufacturers’ quick-release clamps.**
- Some clamps may have channels that are too shallow or deep for our plate stops to work effectively. Some do not have channels at all, however the stop screws may catch on the outside of the clamp sufficiently to prevent the plate from sliding through. In this case, forward and backward movement will be limited for balance purposes, so a slightly longer plate than recommended may be necessary to achieve optimal balance.
- **\*\*This safety feature will not prevent the loss of equipment from a lever-release clamp that can open accidentally to a width wider than the QR plate width.**
- When working with a QR clamp that is narrower than the plate when the clamp is open to its widest width, you may not be able to top load the plate. In this case, you will need to install one of the stops after sliding the plate into the clamp and securing the plate.

**\*Arca-Swiss Z1 users:** The safety-stop security feature of this plate does not work when used with the Arca-Swiss “double-decker” (double-grooved) quick-release clamp, in either the screw-knob or lever-release (flip-lock) style.

If this safety feature is important to you, you can replace the double-decker clamp with a Wimberley quick-release clamp. Longer stop screws are not practical for this application. A compatible clamp for the Z-1 (part # C-12) is available for purchase from us.

The Z1 Monoball can also be ordered without a QR clamp, and a Wimberley clamp can then be installed.

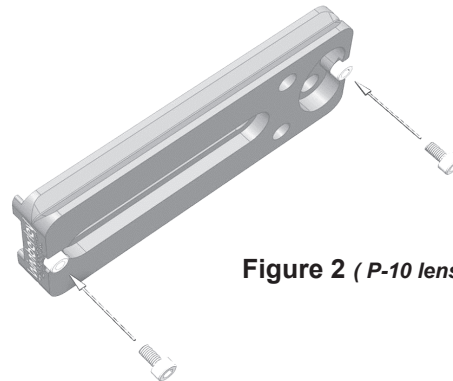


Figure 2 ( P-10 lens plate shown)

### Using Flash Brackets

Wimberley lens plates have a double dovetail cross-section (dovetails are milled in the upper and lower halves) so that you have the option of mounting a Wimberley Modular Flash Bracket to the top or bottom of the plate. This is particularly handy for situations where the quick-release clamp covers a large part of the plate, making it difficult to attach the bracket to the bottom of the plate.

Wimberley plates have holes (non-threaded) to accommodate older Really Right Stuff and Kirk screw-mount flash brackets (Fig. 3).

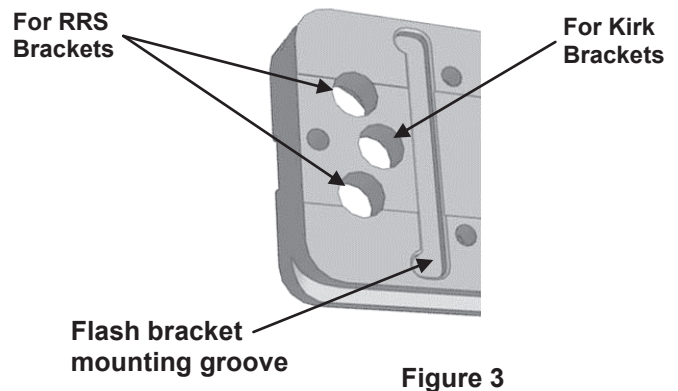


Figure 3

### If you need additional plates for other lenses...

Wimberley offers five lens plate sizes (P-10 to P-50) that work with a wide variety of collared lenses. The plates we recommend are generally long enough so that you can attach a flash bracket to the top surface of the plate and easily balance your lens in almost every lens/camera/accessory configuration. **If you prefer to use the shortest plate that will work with a particular configuration, you may be able to use a smaller plate than is suggested; however it is always better to have a longer plate than necessary than one that is too short if you are trying to balance the lens on a gimbal head.** The specific lengths of our lens plates, as well as plate recommendations for specific lenses, are listed on our website and in our product catalog.

**Thank you for your interest in Wimberley products.** If you have any questions or comments please feel free to contact us (our contact information is located in the black box on the first page).