

About the P-5

The P-5 is a 3" long, Arca-Swiss style quick-release camera body plate that is compatible with a wide variety of camera bodies, and with Arca-Swiss style quick-release clamps such as those made by Wimberley, Really Right Stuff, Kirk Enterprises, Markins, LL Rue, Arca-Swiss*, Foba, Graf and others. *The safety-stop security feature of this plate does not work when used with an Arca-Swiss "double-decker", multi-groove quick-release clamp. Not compatible with most Manfrotto RC or Gitzo QR clamps.

The P-5 Plate is primarily designed for 35mm SLR camera bodies, but its universal design makes it extremely versatile. Use the P-5 on your camera (with or without the vertical grip attached), on backup camera bodies, medium format cameras, and even on collared lenses. *NOTE: Use on collared lenses may not allow you to optimally balance the lens on a gimbal style tripod head.*

Dimensions (L x W x H): 3.0" x 1.5" x 0.35"

Weight: 1.5 OZ (plate, mounting screw & stop screws)

Materials: Anodized 6061 Aluminum, 3M anti-slip tape, stainless steel fasteners

Instructions

Attaching the P-5 Plate:

1. Position the P-5 plate lengthwise along the camera body as shown in Fig. 1.
2. Use the enclosed 5/32" hex key to thread the plate screw into the mounting hole on the bottom of your camera. Rotate the screw until you feel resistance, then rotate the screw a little more so that the plate is snug. **Do not over-tighten! See warning below!**
3. If your camera tripod mounting hole requires a 3/8" fastener, you will need to install a reducer bushing in the hole to attach the plate. You can purchase this through us - part# BS-100.
4. Install safety stop screws. See Fig. 2.

The P-5 also has a threaded hole (Fig. 1) that can be used to easily attach your camera to a 1/4" stud on a tripod, monopod or ground pod without the need for a quick-release clamp.

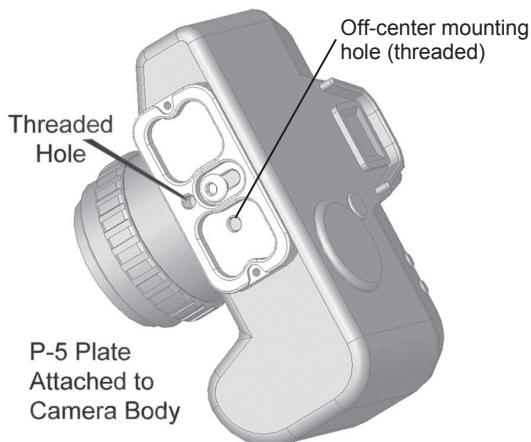


Figure 1

P-5 Plate
Attached to
Camera Body

The Screw: The P-5's mounting screw is shorter than our SW-100 lens plate screw. It is specially machined to fit our P-5, and it fits the profile of most camera body and battery grip bottoms. The Wimberley SW-100 will not work with this plate; it is taller and won't seat flush against the surface of the plate for a secure, no-twist connection. Contact us for replacement screws or an optional slotted screw that will work with a coin or standard screwdriver.

Flip-lock or lever-release clamps: Screw knob clamps are recommended. Our P-5 is machined to a width tolerance that may not be as specific as the width tolerance of a lever-release (flip-lock) clamp. We have had customers receive P-5 plates that were either too wide or too narrow (not nearly as common) for their specific clamp. If you find that your P-5 does not fit the quick-release clamp you are using, please contact us and we will be happy to exchange it for one that is a more suitable width.

Wimberley™

P-5

Universal Camera Body Plate™



Made in USA



Package Contents:

- **Arca-Swiss Style Plate:** P-5 Camera Body Plate (Qty 1)
- **Mounting Screw:** 1/4"-20 x 3/8" modified for P-5 (Qty 1)
- **Safety Stop Screws:** M3 x 6mm Socket Head Cap (Qty 2)
- **Hex Key:** 5/32" (Qty 1)
- **Hex Key:** 2.5mm (Qty 1)

Wimberley, Inc.

974 Baker Lane
Winchester, VA
22603 USA

Phone: 1-540-665-2744

Toll Free: 1-888-665-2746 (USA & Canada)

www.tripodhead.com info@tripodhead.com

WARNING! Do Not Over-tighten!

Universal camera body plates such as the P-5 require that you tighten the plate snugly to your camera body to ensure that they do not twist. Due to its innovative design, the P-5 resists twisting on the body with *minimal* clamping force. However, caution must be exercised when using any plate on camera bodies that do not have a metal skeleton, and especially with those with plastic threads. Tighten the fastener snugly enough to prevent rotation of the plate, but be careful.

Camera Body Flex & the Canon D60:

The P-5 and many other universal plates have a shallow cut-out in the top surface of the plate so that the clamping force is located on the ends of the plate where the mechanical advantage is greatest. Plastic camera bodies will flex slightly into this cut-out when the plate is tightened. We have heard of rare instances where older, first-generation plastic-bodied cameras will flex enough to cause problems.

Generally this does not occur with newer cameras; however a customer experienced a temporary malfunction with his Canon D60 that may have been caused by camera body flex. We own a D60 and we were actually able to replicate this problem a few times when over-tightening the P-5 plate. If you own a D60, please be aware of this issue. Please contact us if you experience any such difficulties with your camera body using the P-5 plate. If an error occurs, turn off the camera and remove the plate. Re-install the plate using less torque and turn on the camera.

Instructions continued on back >>

Using Safety Stop Screws:

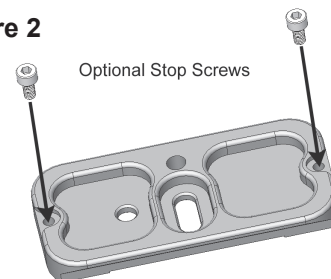
Originally a Wimberley innovation that has since been adopted by many other manufacturers as a standard feature, the safety stop feature on your Wimberley plate prevents the plate from sliding completely out of a compatible quick-release clamp if it becomes loosened accidentally. Your Wimberley plate comes with two 3mm screws and a matching hex key. These two screws can be installed into the threaded holes on the sides of the plate to serve as safety stops (Fig. 2). If you opt to use the safety stops, you must open the jaws of the quick-release clamp wide enough to load your lens from the top (instead of sliding it in from the side). **Top loading is a little less convenient, but if you use both stops you can be certain that your lens will not slide out of the clamp.**

The safety stops on this plate work best with Wimberley quick-release clamps. Our clamps have channels of a specific depth and a length that reaches almost to the center of the plate. These channels allow a full range of forward and back motion but will not let the plate slip out if the clamp becomes a little loose.

IMPORTANT NOTE: Our stop screws may or may not work well, or at all, with other manufacturers' quick-release clamps. Some clamps may have channels that are too shallow or deep for our plate stops to work effectively. Some clamps (Arca-Swiss and older Kirk clamps) do not have channels at all; however the stop screw heads should catch on the outside of the clamp sufficiently to prevent the plate from sliding through. In this situation, forward and backward movement will be limited; therefore a longer plate than normally recommended may be required for balance and safety purposes.

Arca-Swiss Z1 users: The safety-stop security feature of this plate does not work when used with an Arca-Swiss "double-decker" (double-grooved) quick-release clamp in either the screw-knob or lever-release (flip-lock) style. If this plate safety feature is important to you, we recommend replacing the double-decker clamp with a Wimberley modified clamp specially designed for this ball head, or ordering the Z1 without a clamp and installing a compatible Wimberley quick-release clamp, because longer stop screws are not practical for this application. A compatible quick-release for the Z1 is available for purchase from us directly (part # C-12). **Note:** Our discontinued standard C-10 clamp will not fit the stem of the Arca-Swiss Z1 or B1 Monoball. Our discontinued C-10AS clamp would also work in this case.

Figure 2

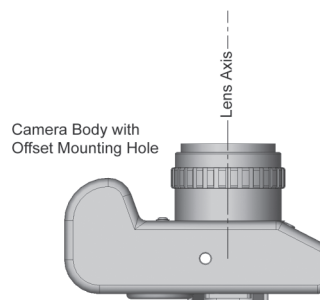
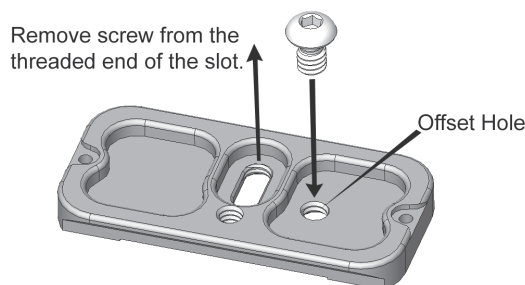


Uses of offset mounting hole:

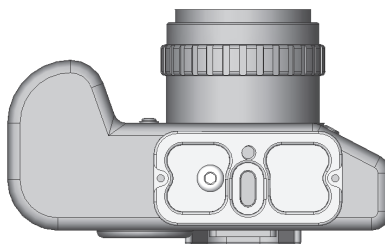
Some cameras have a mounting hole that is offset from the lens axis. If this is the case and you would like the plate to be more centered, you can remove the center screw by sliding it to the *threaded end of the center slot* (Figure 3) and reinstall it in the offset hole. This will allow you to mount the plate closer to the lens axis.

The offset hole may also be useful for obtaining the optimal plate position when mounting the P-5 to a collared lens or medium format camera.

Figure 3



By fastening the plate to the camera body using the offset hole, the plate is more centered with respect to the lens axis.



Additional plate information...

In order to achieve proper balance, each lens you mount on a gimbal head may require a different length of quick-release plate based on the lens profile, and its weight and size. The lens plates we recommend are generally long enough so that you can attach a flash bracket to the top surface of the plate, and also easily balance your lens in almost every lens/camera configuration. If you are interested in using the shortest plate that will work with a particular configuration, you may be able to employ a shorter plate than we suggest, such as when using the lens on a ball head; however it is always better to have a longer plate than one that is too short when using a gimbal-style tripod head or connecting flash brackets. Wimberley offers five plate sizes (P-10 to P-50) that work with a wide variety of collared lenses. The specific lengths of the plates are listed on our website and in our product catalog. Contact us if you have questions.

Thank you for your interest in Wimberley products. If you have any questions or comments please feel free to contact us (our contact information is located in the black box on the first page).