

About the P-40

The P-40 is a 5.88" long, double dovetail, Arca-Swiss style quick-release plate. It is used to connect a camera lens, fitted with a rotation collar and tripod mounting foot, to a compatible quick-release clamp. Wimberley plates are compatible with most Arca-Swiss style quick-release clamps, such as those made by Wimberley, Really Right Stuff, Kirk Enterprises, Markins, LL Rue, Arca-Swiss*, Foba, Graf and others†. *The safety-stop security feature of this plate does not work when used with an Arca-Swiss "double-decker", multi-groove quick-release clamp. †Not compatible with most Manfrotto or Gitzo clamps.

Dimensions (L x W x H): 5.88" x 1.5" x 0.38"

Weight: 4.5 OZ (plate, 3 mounting screws, & stop screws)

Materials: Anodized 6061 Aluminum, stainless steel fasteners

Instructions

Attaching the P-40 Plate:

1. Determine the number of screws you need. If your lens foot has more than one mounting hole, it is recommended that more than one hole be used to mount the plate to keep the plate from twisting on the foot. For a lens foot with one mounting hole, see the anti-twist plate feature in Fig. 5 on p. 2.

2. Use the threaded end of the center slot to remove or add screws as needed (Fig. 6 on p. 2). This plate comes with three mounting screws. If your lens foot requires more fasteners than we have included, you can obtain extra screws from us, part SW-100.

3. Install safety stop screws (Fig. 4 on p. 2). This is not required, but it is highly recommended to insure the safety of your gear. See p. 2 for details.

4. Determine the size of the mounting hole(s). If your lens foot has one or more 3/8" mounting holes, install the brass reducer bushing into the larger mounting hole. This allows the 1/4" plate fastener to screw into the larger hole. You can purchase robust brass bushings through us, part BS-100. (Note: The center slot is not wide enough to use 3/8" fasteners with our plates.)

5. Use the enclosed 5/32 hex key to attach and remove the lens plate to the foot of your lens (Fig. 1). Our fasteners are specially machined at the top to allow them to slide freely within the center slot. **Important Note:** when removing the plate, loosen screws gradually while gently pulling the plate flush against the screw caps to prevent binding of the screw threads in the center slot of the plate.

6. Position the lens plate on the lens foot. The plate can be positioned on the foot in either direction as needed, as in Fig. 2 & 3 below.

7. Tighten the screws firmly (no need to over-tighten).

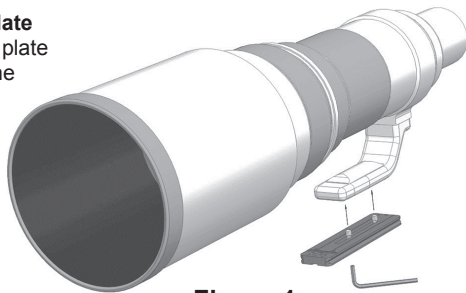


Figure 1

Positioning the plate on your lens: The plate position can be adjusted on the lens foot to suit your needs. It can be positioned either facing forward (Fig. 2) or facing backward (Fig. 3). The plate's elongated center slot allows you to adjust the back and forth position of the plate on the lens foot (illustrated with arrows in Fig. 2 & 3) while the screws are still engaged. Loosen the screws just enough to free up the plate (see step 5 above), then position the plate so that you: 1. can balance the lens in all scenarios (e.g. with teleconverters, flash brackets, different camera bodies, etc.) and 2. have enough plate contained within the clamp for a secure mount.

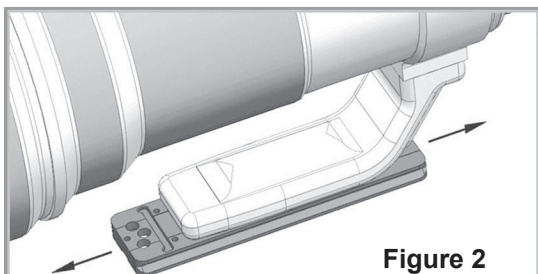


Figure 2

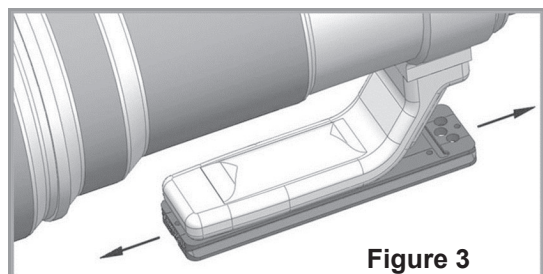


Figure 3

Wimberley™

P-40

Quick-release Lens Plate™



7 53182 83433 7

Made in USA



Package Contents:

- **Arca-Swiss Style Plate:** P-40 Lens Plate (Qty 1)
- **Mounting Screws:** 1/4"-20 x 1/2 Button Head Cap (Qty 3)
- **Safety Stop Screws:** M3 x 6mm Socket Head Cap (Qty 4)
- **Hex Key:** 5/32 (Qty 1)
- **Hex Key:** 2.5mm (Qty 1)
- **Bushing:** BS-100 3/8" to 1/4" brass bushing (Qty 1)

Wimberley, Inc.

974 Baker Lane
Winchester, VA
22603 USA

Phone: 1-540-665-2744

Toll Free: 1-888-665-2746 (USA & Canada)

www.tripodhead.com info@tripodhead.com

Instructions continued on back >>

— Instructions (Continued) —

A Wimberley security innovation that has since been adopted by many other manufacturers as a standard feature, the safety stop feature on your Wimberley plate prevents the lens plate from sliding completely out of a compatible quick-release clamp if the clamping jaws become loosened accidentally. Your Wimberley plate comes with four 3mm screws and a matching hex key. Two of these screws can be installed into the front and back threaded holes on the bottom of the plate to serve as safety stops (Fig. 4). **If you opt to use both front and back stops, you must open the jaws of the quick-release clamp wide enough to load your lens from the top (instead of sliding it in from the side).** Top loading is a little less convenient, but if you use both stops you can be certain that your lens will not slide out of the clamp. *Note: this feature may not prevent equipment loss with a lever-release clamp that accidentally opens to its full width.*

The safety stops on this plate work best with Wimberley quick-release clamps. Our clamps have channels of a specific depth and a length that reaches almost to the center of the clamp. These channels allow a full range of forward and backward motion but will not let the plate slip out if the clamp becomes a little loose, as when adjusting the lens for balance.

IMPORTANT NOTE: Our stop screws may or may not work well, or at all, with other manufacturers' quick-release clamps. Some clamps may have channels that are too shallow or deep for our plate stops to work effectively. Some clamps (Arca-Swiss and older Kirk clamps) do not have channels at all; however the stop screw heads should catch on the outside of the clamp sufficiently to prevent the plate from sliding through. In this situation, forward and backward movement will be limited, therefore a longer plate than we normally recommend may be required for balance and safety purposes.

Arca-Swiss Z1 users: The safety-stop security feature of this plate does not work when used with an Arca-Swiss "double-decker" (double-grooved) quick-release clamp, in either the screw-knob or lever-release (flip-lock) style. If this plate safety feature is important to you, we recommend replacing the double-decker clamp with a Wimberley modified clamp specially designed for this ball head, or ordering the Z1 without a clamp and installing a compatible Wimberley quick-release clamp, because longer stop screws are not practical for this application. A compatible quick-release for the Z1 is available. See our website or product catalog for details.

Additional Anti-twist Feature

If your lens foot has only one mounting hole: the two extra M3 stop screws included with your plate can be used to prevent the plate from twisting on the lens foot. Thread the small screws into the two counter-bored holes in the plate so that the screw ends protrude from the top of the plate (the side you attach to your lens foot). When installed in this fashion (Fig. 5), they provide a set of anti-twist nubs that can be seated flush against the front or back of your lens foot to prevent rotation. This is especially useful when mounting your lens on the Sidekick or other side-mount style tripod head. Alternatively, two narrow strips of 3M Grip tape may be applied length-wise to the plate surface that contacts the lens foot. Contact us if you'd like to use this tape.

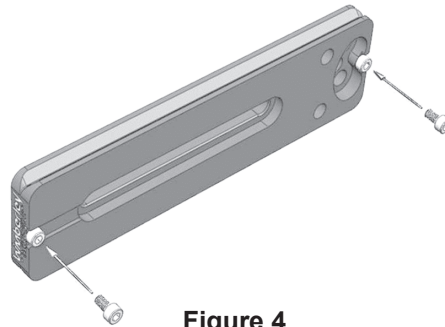


Figure 4

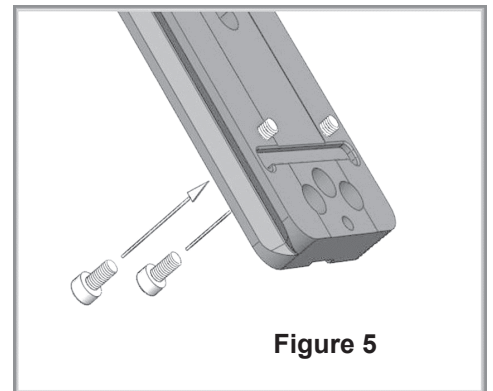


Figure 5

Mounting Holes & Using Flash Brackets

Wimberley lens plates have a double dovetail cross-section (dovetails are milled in the upper and lower halves) so that you have the option of mounting a Wimberley Modular Flash Bracket to the top or bottom of the plate. This is particularly handy for situations where the quick-release clamp covers a large part of the plate, making it difficult to attach the bracket to the bottom of the plate. Wimberley plates are also made to accommodate older Really Right Stuff and Kirk screw-mount flash brackets (Fig. 6). *NOTE: When using these Kirk Flash brackets, you must install the two extra stop screws in the counter-bored holes (Fig. 5) in order to keep the bracket from twisting.*

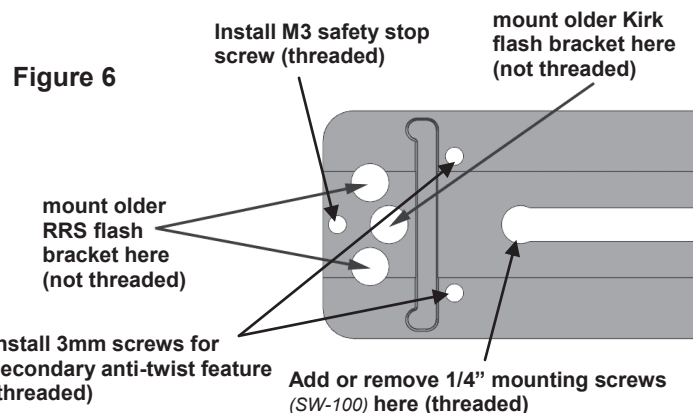


Figure 6

Additional plate information...

In order to achieve proper balance, each lens you mount on a gimbal head may require a different length of quick-release plate based on the lens profile, and its weight and size. The lens plates we recommend are generally long enough so that you can attach a flash bracket to the top surface of the plate, and also easily balance your lens in almost every lens/camera configuration. If you are interested in using the shortest plate that will work with a particular configuration, you may be able to employ a shorter plate than we suggest, such as when using the lens on a ball head; however it is always better to have a longer plate than one that is too short when using a gimbal style tripod head or connecting flash brackets. Wimberley offers five plate sizes (P-10 to P-50) that work with a wide variety of collared lenses. The specific lengths of the plates are listed on our website and in our product catalog. Contact us if you have questions.

Thank you for your interest in Wimberley products. If you have any questions or comments please feel free to contact us (our contact information is located in the black box on the first page).