



Arca-Swiss Z1 Use Warning

May 30, 2008

WARNING: If you use the Arca-Swiss Z1 (especially with our Sidekick) please read the following information!

We have learned that Arca-Swiss has recently changed the stem configuration of their Z1 Monoball. The stem is now two parts adhered together instead of one solid piece. We are not sure exactly when this change occurred (see guide below to determine if your ball head has the 2-part stem).

Should the adhesive bond between the stem pieces fail, the upper portion of the stem, along with any camera gear that is attached can spin freely and potentially fall completely off.

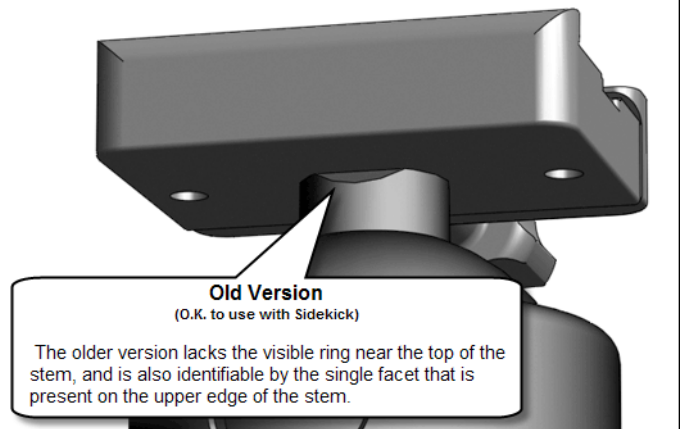
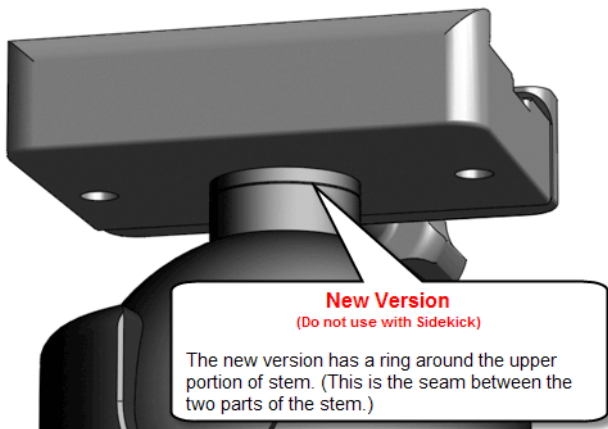
We feel this is not a trivial safety risk, especially when the head is used in conjunction with our Sidekick, which creates greater twisting forces on this joint.

Do not use Sidekick with the 2-piece stem version of the Z1.



Determining the stem version of your Z1:

Earlier versions of the Z1 have a solid stem and are therefore safe to use with our Sidekick. The way to tell the difference between the solid stem and the two-part stem is to look closely at the top of the stem just below the mounting platform or quick-release clamp. **If the stem has a small seam close to the top of this connection, it is the newer version, and the ball head should be used with caution for general applications and not at all with the Sidekick.** The older version of the stem will not have this visible band near the top of the stem. The older version is also identifiable by the single facet that is present on the upper edge of the stem.



RESOLVING THE ISSUE:

We are in the process of discussing this issue with Arca-Swiss, and have decided to halt our sale of the current version of the Z1 until a suitable solution can be found to keep the top part of the stem from twisting should the stem parts loosen for any reason. Our resulting modification to the ball head may not be aesthetically pleasing, but it will insure the integrity of the mount.

We are NOT accepting requests for the following at this time:

- purchase of the Arca-Swiss Z1
- modifications to correct this issue with this ball head
- returns of purchased ball heads

We plan to keep you informed of any further developments as they happen.

Please contact the following representatives if you are experiencing any twist in the mounting stem of your Z1 Monoball:

Contact ARCA-SWISS US:

ARCA-SWISS, Inc.
2247 N. Geneva Terrace
Chicago, IL 60614
Phone: 773-248-2513
Fax: 773-248-2774
email: arcaswiss@aol.com

Contact ARCA-SWISS International:

ARCA-SWISS Int.,
29 Quartier de l'europe
Espace Valentin
FR-25048 Besançon
PH: ++33 381 85 40 60
Fax: ++33 381 85 40 69
email: arca-swiss@wanadoo.fr

USA repair service for Arca-Swiss: www.precsioncameraworks.com