

About the AP-903

The **AP-903 Sidekick Shifter Combo** moves the base of the Sidekick away from the ball head just enough to reposition the center of gravity of the lens, moving it closer to the center of the ball head, thus allowing the lens to balance optimally.

The AP-903 Shifter Block and three Spacer Plate combination attaches easily to the bottom mounting base of the Sidekick using pre-drilled mounting holes.

Note: Sidekicks produced before June 2018 have two additional 8/32 holes mounting holes. The Shifter Block can be mounted securely with just the two 1/4-20 fasteners supplied with this kit.

Much older Sidekicks may have two differently sized holes or no holes at all. In either case, or if your lens does not balance with this Shifter, please contact us for assistance.

Sidekick Shifter Combo offsets:

AP-900 Sidekick Shifter Block = **0.75" offset**

AP-901 Combo: Sidekick Shifter + (1) **0.25"** spacer plate = **1.0" offset**

AP-902 Combo: Sidekick Shifter + (2) **0.25"** spacer plates = **1.25" offset**

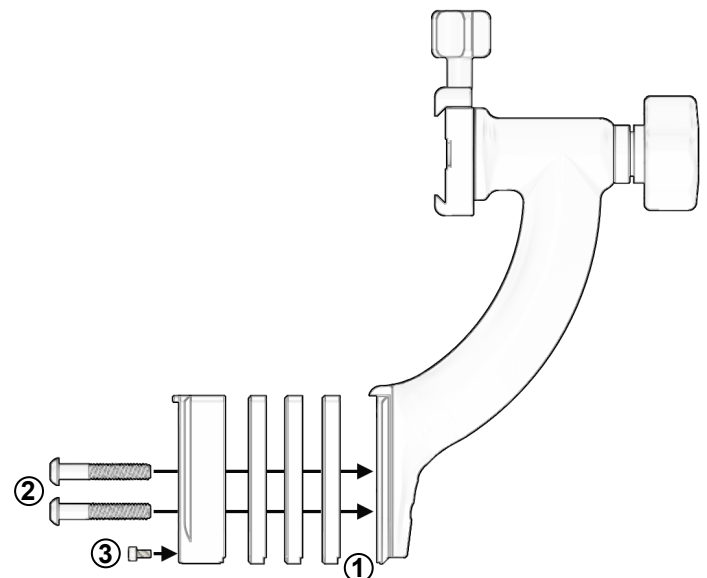
AP-903 Combo: Sidekick Shifter + (3) **0.25"** spacer plates = **1.50" offset**

Instructions

Attaching the AP-903 Sidekick Shifter Combo:

- ① If you have installed the safety stop screw in the sidekick foot, remove before attaching the shifters
- ② Attach the Shifter Block to the flat face on the lower portion of the Sidekick using the 2 fasteners and hex keys included as shown below.
- ③ Attach the M3 Safety Stop screw with the included 2.5mm hex key

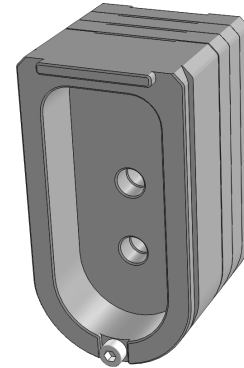
IMPORTANT NOTE: The fasteners included in the Sidekick Shifter kits are specific to the number of spacers used in each kit. If spacer plates are added to or removed from this Shifter Combo, the fasteners in this kit will either be too short or too long to mount it to the Sidekick. In this case, contact us and we can provide the additional hardware needed to connect the Sidekick Shifter to your gimbal head adapter in order for your lens to reach optimal balance.



Thank you for your interest in Wimberley products. If you have any questions or comments please feel free to contact us.

Wimberley

AP-903 Sidekick Shifter Combo




Weight: 6.7oz (190.4g)

Dimensions (L x W x H): 2.75" x 1.5" x 1.6"

Materials: Anodized 6061 Aluminum, stainless steel

Package Contents:

- **AP-900:** Sidekick Shifter Block (0.75") (Qty 1)
- **AP-920:** Sidekick Shifter Spacer Plate (0.25") (Qty 3)
- **Mounting Screws:** 1/4-20 x 1.375" (Qty 2)
- **Safety Stop Screws:** M3 x 6mm Socket Head Cap (Qty 1)
- **Hex Key:** 5/32" (Qty 1)
- **Hex Key:** 2.5mm (Qty 1)

Made in USA 

Wimberley, Inc.

Phone: 1-434-529-8385

1750 Broadway St
Charlottesville, VA
22902 USA

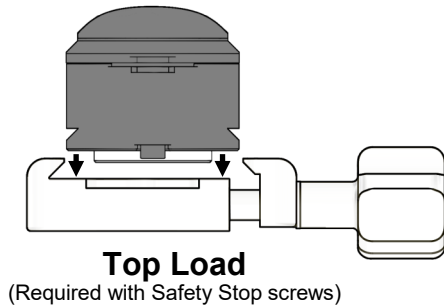
Toll Free: 1-888-665-2746 (USA & Canada)

www.tripodhead.com info@tripodhead.com

10 Year Warranty – See www.tripodhead.com/warranty.cfm for complete details

— Using the Optional Safety-Stop Screw

Your Shifter Block comes with a safety stop screw and a matching hex key. This fastener is intended to be screwed into the small threaded hole in the bottom of the block (*Fig. 6*) to serve as a stop that prevents the plate from accidentally sliding out of the quick-release clamp. If you opt to use this feature, you must open the jaws of the quick-release clamp wide enough to load your sidekick from the top (instead of sliding it in).



Top Loading is less convenient, but you can be certain that your lens will not slide out of the clamp.

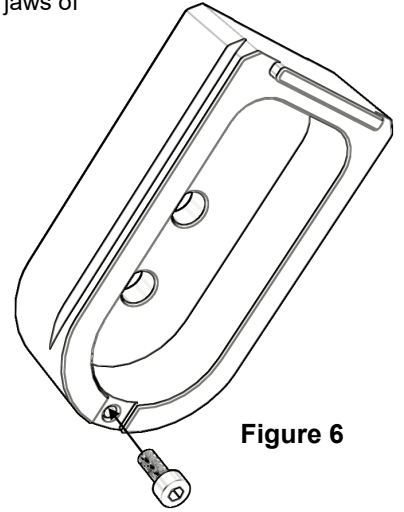
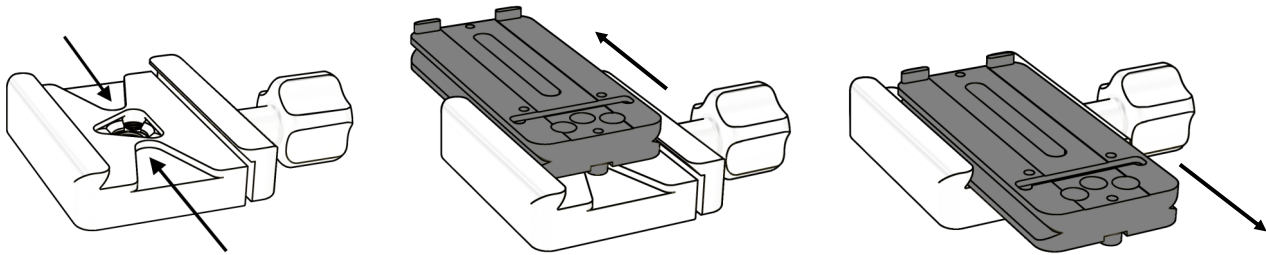


Figure 6

Safety Stop Channels We recommend using clamps with safety stop channels. These channels allow a full range of forward and back motion but will not let the block slip out if the clamp is inadvertently loosened.

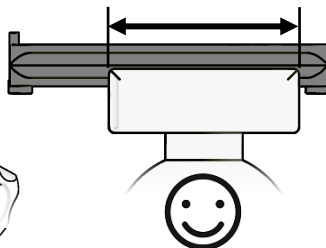
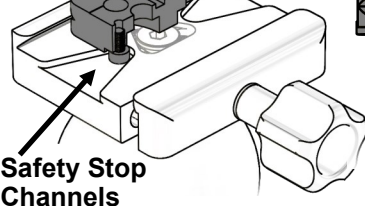


⚠️ 3rd Party Clamp Warning: Our safety stop screws work with most 3rd party quick-release clamps, but clamps that do not have channels and are too wide to be straddled by the safety stop screws will not work.

Your clamp must have safety stop channels

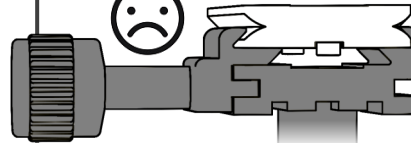
OR

be short enough to allow the block to straddle the clamp

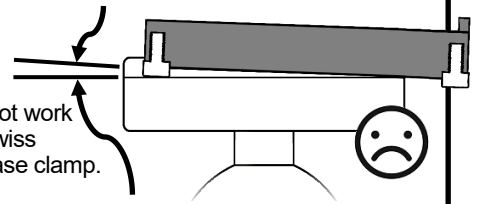


Arca-Swiss Z1

The safety-stop security feature of this block does not work when used with an Arca-Swiss "double-decker" quick-release clamp.



If this safety feature is important to you, we recommend replacing the clamp with a Wimberley C-12 QR Clamp.



Clamps without safety stop channels (or those without adequate clearance) will **insecurely** clamp the block at an angle